

# Data Sheet

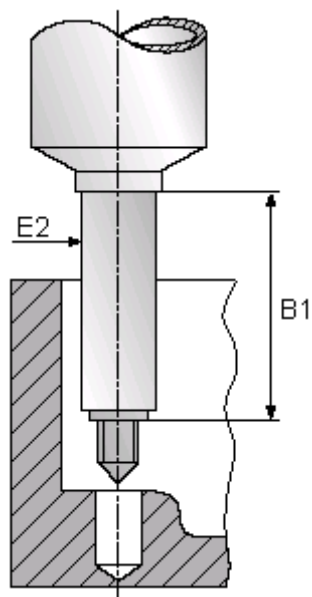


Article number: 12621000120000

Description: Industrial tool 621 000 120.000  
For M12

## Measures

---



B1	= 60
E2	= 18
For thread	= M12